

AVA **HDMI-SPT-1IN4OUT-HDR2**

MANUAL

HDMI SPLITTER

DISCLAIMER

The product name and brand name may be registered trademark of related manufactures.™ and® may be omitted on the user manual. The pictures in this user manual are just for reference. The terms HDMI, HDMI High-Definition Multimedia Interface, and the HDMI Logo are trademarks or registered trademarks of HDMI Licensing Administrator, Inc. We reserve the rights to make changes without further notice to a product or system described herein to improve reliability, function or design.

IMPORTANT SAFETY INSTRUCTIONS

Please read below safety instructions carefully before installation and operation:

- 1.)** Please pay attention to all the warnings and hints on this device.
- 2.)** Do not expose this unit to rain, moisture and liquid.
- 3.)** Do not put any stuff into the device.
- 4.)** Do not repair the device or open the enclosure without professional person guidance to avoid electronic shock.
- 5.)** Make sure good ventilation openings to avoid product overheating damage.
- 6.)** Shut off power and make sure environment is safe before installation.
- 7.)** Use DC5V only. Make sure the specification matched if using 3rd party DC adapters.

Introduction

1x4 HDMI splitter distributes 1 HDMI source to 4 HDMI displays simultaneously. Apply for STB, Blu-ray Player, Media Player, Laptop, D-VHS and other HD-Player devices. It's compatible with HDMI 3D and 4K x 2K.

Product Key Functions

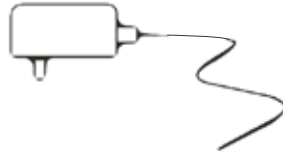
Features

- Distribute 1 HDMI source to 4 HDMI displays
- Support ultra HD resolution 4K x 2K@60Hz
- Support HDMI 3D
- Support YUV 4:4:4
- Support HDR
- HDCP 2.2 compliant
- Low power consumption
- Support configures the video resolution automatically according to the capabilities of each connected monitor, allows simultaneous mixed 4K and 1080p display outputs
- Plug and play

Package Contents



HDMI Splitterx1



DC5V/1A power Adapterx1

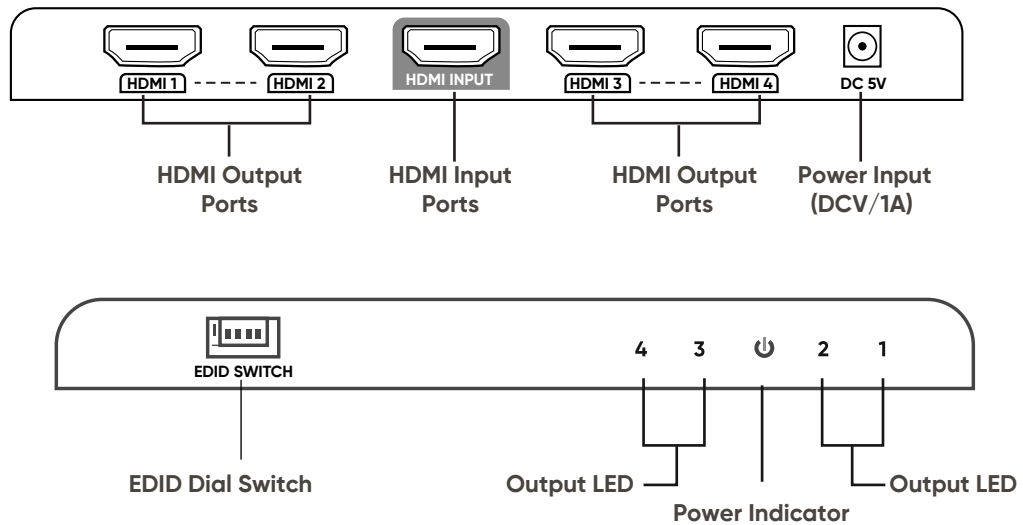


User Manual x 1

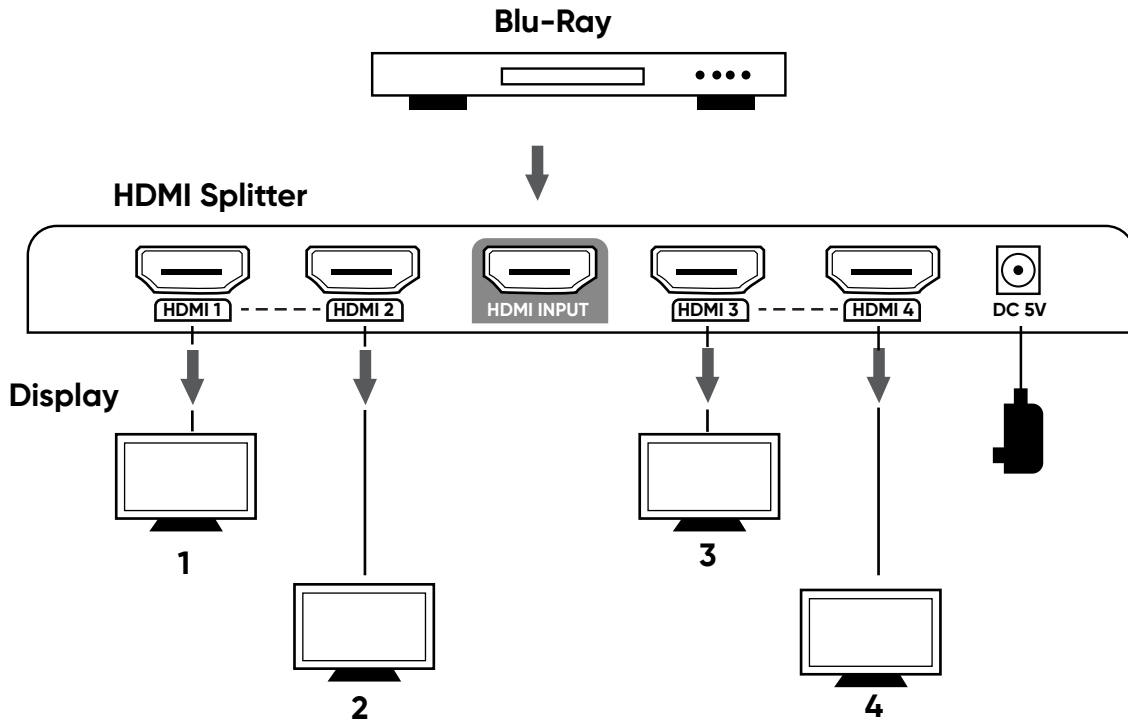
Installation Requirement

- 1.) Source: HDMI video source, such as Blu-ray player, Game Console, STB, PC, Etc.
- 2.) Display: HDTV, projector or other display with HDMI port
- 3.) HDMI cable: HDMI 2.0 standard cable (can support 4Kx2K@60Hz)

Panel Description



Installation and Connection

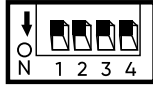


Connection Instruction

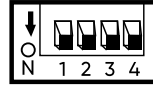
- 1.) Connect the HDMI video source output port to the splitter input port by HDMI cable
- 2.) Connect the splitter output port to HDMI display by HDMI cable
- 3.) Set the TV input to right HDMI channel
- 4.) Power on the splitter(Power indicator will light on)

Operation

- 1.) Before output HDMI signal, the splitter will read EDID information of connected TVs and send it back to HDMI source part to let it determine the output mode
- 2.) Indicator led shows the working status
- 3.) The splitter is build-in 16 kinds of EDID that can be selected by 4 switch codes, corresponding as following.



Switch up for "1"



Switch down for "0"

Switch Status	1	2	3	4	EDID information
	0	0	0	0	0
1	0	0	0	0	4k@60Hz 7.1CH
0	1	0	0	0	4k@30Hz 2CH
1	1	0	0	0	4k@30Hz 7.1CH
0	0	1	0	0	1080p@60Hz 2CH
1	0	1	0	0	1080p@60Hz 7.1 CH
0	1	1	0	0	1080i@60Hz 2CH
1	1	1	0	0	1080i@60Hz 7.1CH
0	0	0	1	1	1080p@50Hz 2CH
1	0	0	1	1	1080P@50Hz 7.1CH
0	1	0	1	1	4K@30Hz HDR
1	1	0	1	1	4K@60Hz HDR
0	0	1	1	1	Copy once
1	0	1	1	1	MIX1
0	1	1	1	1	MIX2
1	1	1	1	1	MIX3

Note:

Copy Once: Read the EDID of the first connected output only

MIX1: lowest format of audio, and lowest format of video

MIX2: Highest format of audio, and compose down scaling of video

MIX3: lowest format of audio, and compose down scaling of video

Compose down scaling: Only HDMI 4K@60Hz(YCbCr4:4:4 or YCbCr4:2:0) signal, would be downscale to 1080P@60Hz.

Q: No image output?

A:

- 1.) Check the power supply of splitter, make sure the power light is on.
- 2.) Check if the HDMI cables connected well.
- 3.) Check and make sure the TV has been set up to the right channel.
- 4.) While connect with PC or notebook via HDMI, please make sure the output mode is mirror or extend.

Q: Display is unstable, splash screen, snowflakes or audio stuck?

A:

- 1.) Check and make sure all connections are good and correct.
- 2.) Try to directly connect HDMI source to display, if it is the same, please change the source device.
- 3.) Use high-quality HDMI 2.0 cable for transmitting 4Kx2K@60Hz signal.

Q: Display can not output 4Kx2K UHD image when all connections are correct?

A:

- 1.) Check and make sure the input sources are 4Kx2K@60Hz UHD signal.
- 2.) Check and make sure the TV is support 4Kx2K@60Hz resolution.
- 3.) Check if the HDMI cables are compliant HDMI2.0 standard.

Q: Display can not output HDR effect image when all connections are correct?

A:

- 1.) Check and make sure the input sources are support HDR effect.
- 2.) Check and make sure the TV is support HDR effect image.

Specifications

Items	Specifications
Input ports	1 x HDMI
Output ports	4 x HDMI
Power indicator led	1 x LED
Signal indicator led	4xLED
HDMI Version	Compatible with HDMI 2.0, HDMI 1.4
HDCP Version	Compatible with HDCP 1.4, HDCP2.2
Transmission rate	18Gbps
Frequency Range	25MHz~594MHz
Video form	Support 3D video and 4K x 2K@30/60Hz ultra HD video
Support audio format	Support standard audio and DSD (Direct Stream Digital) and HD (HBR) audio
HDMI Resolution	480i/480p/576i/576p/720p/1080i/1080p/4k x 2k@24/25/30/60Hz
HDR	Support
EDID management	Support smart EDID management, available to display different resolution monitors at the same time
Working temperature	0°C~60°C
Power supply	DC5V/1A
Power consumption	<3W
Dimension	158mm(L)x80mm(W)x17mm(H)
Weight	200g
Color	Black



AVYCON[®]



Copyright © AVYCON. All rights reserved. Specifications and pricing are subject to change without notice.

phone: 949-752-7606
email: info@avycon.com
social: [@avycon_aivo](#)
website: avycon.com